

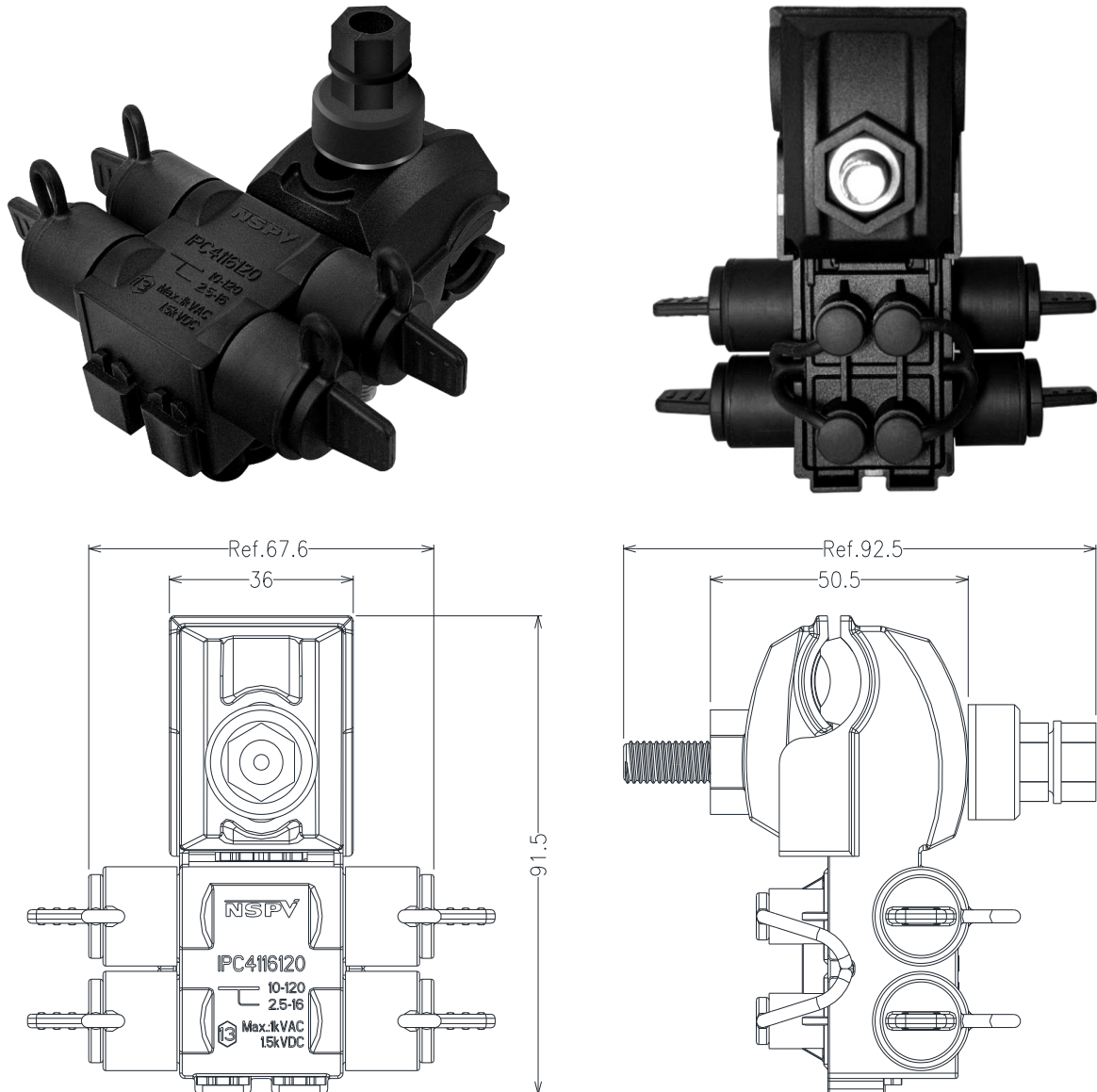
4进1出穿刺线夹(IPC4116120)

4in1 Piercing connector(IPC4116120)

产品规格 Product Specifications

绝缘材料 Insulation material	PA+CU	安全等级 Safety degree	II
额定电压 Rated voltage	1500VDC/1000VAC	阻燃等级 Flame class	UL94-V0
适配电线规格 Suitable cable cross sections	Tap:2.5~16mm ² (OD Max.9.0) Main:10-120mm ² (Al/CU)	安装方式 Installation type	户外, 抗紫外线(F1) Outdoor,UV resistant(F1)
连接器接触电阻 contact resistance	≤ 5 mΩ	环境温度范围 Ambient temperature range	-40°C...+85°C(IEC)
金属导体材料 Contact material	铜,镀锡 Copper,Tin plated	连接方式 Connecting system	锁接 Lock connection
保护等级 Degree of protection	IP67	螺帽锁紧力 Nut cap locking force	>12Nm
过压等级 Overvoltage category/Pollution degree	CATIII/2	温度上限 Upper limiting temperature	110°C(IEC)

图示: Drawing:



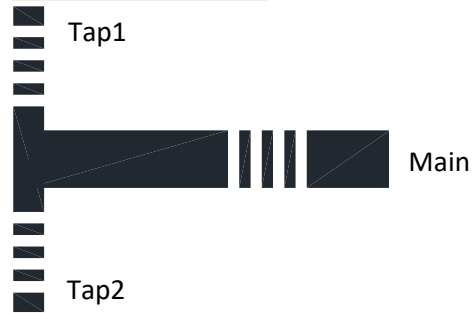
接线原理图

Elementary diagram :

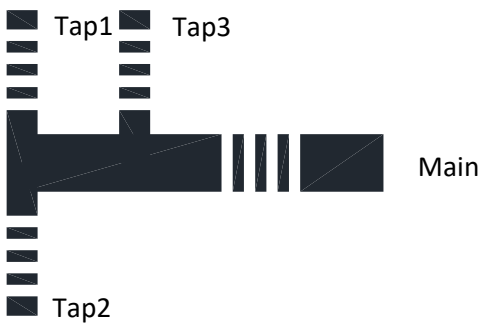
1 input 1 output



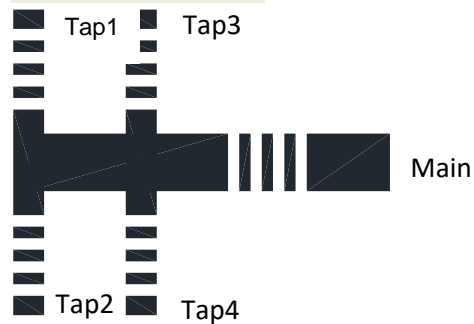
2 inputs 1 output



3 inputs 1 output



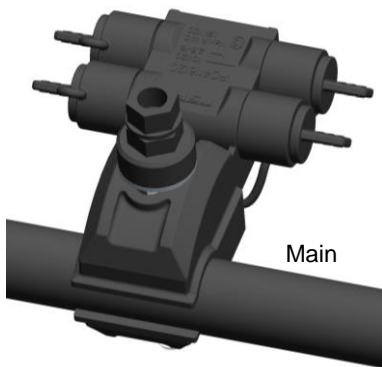
4 inputs 1 output



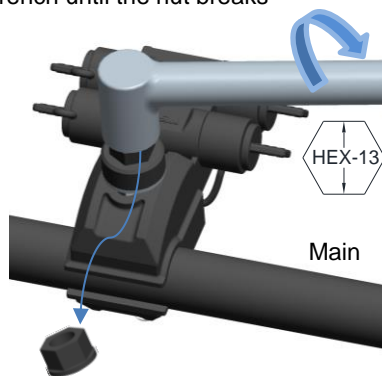
使用方法

method of application

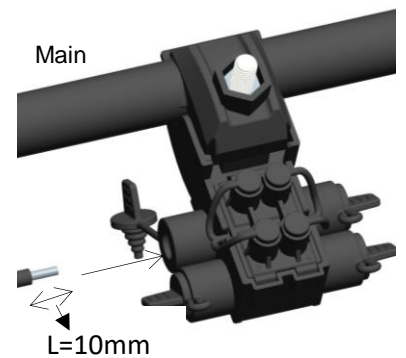
- 1.把电线放入线夹内
- 1.Put the cable on the IPC



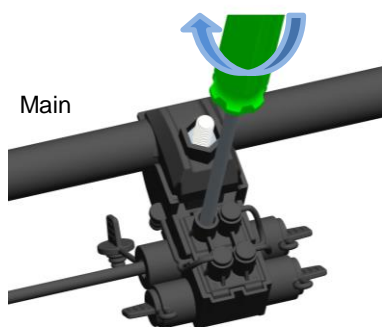
- 2.用13mm的扭力扳手锁紧电线直到螺帽断开
- 2.Tighten the cable with a 13mm torque wrench until the nut breaks



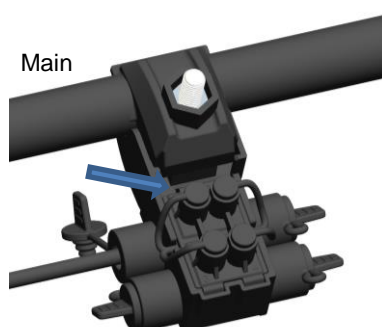
- 3.拨分支电线L=10mm
- 3.Strip the cable L= 10mm



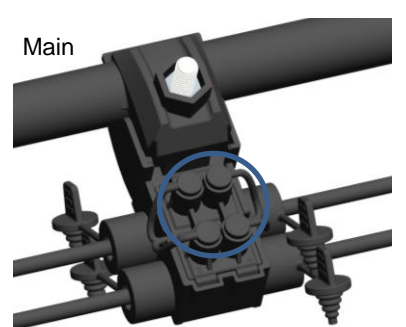
- 4.用Φ6锁紧分支电线
- 4.Lock the cable with Φ6mm



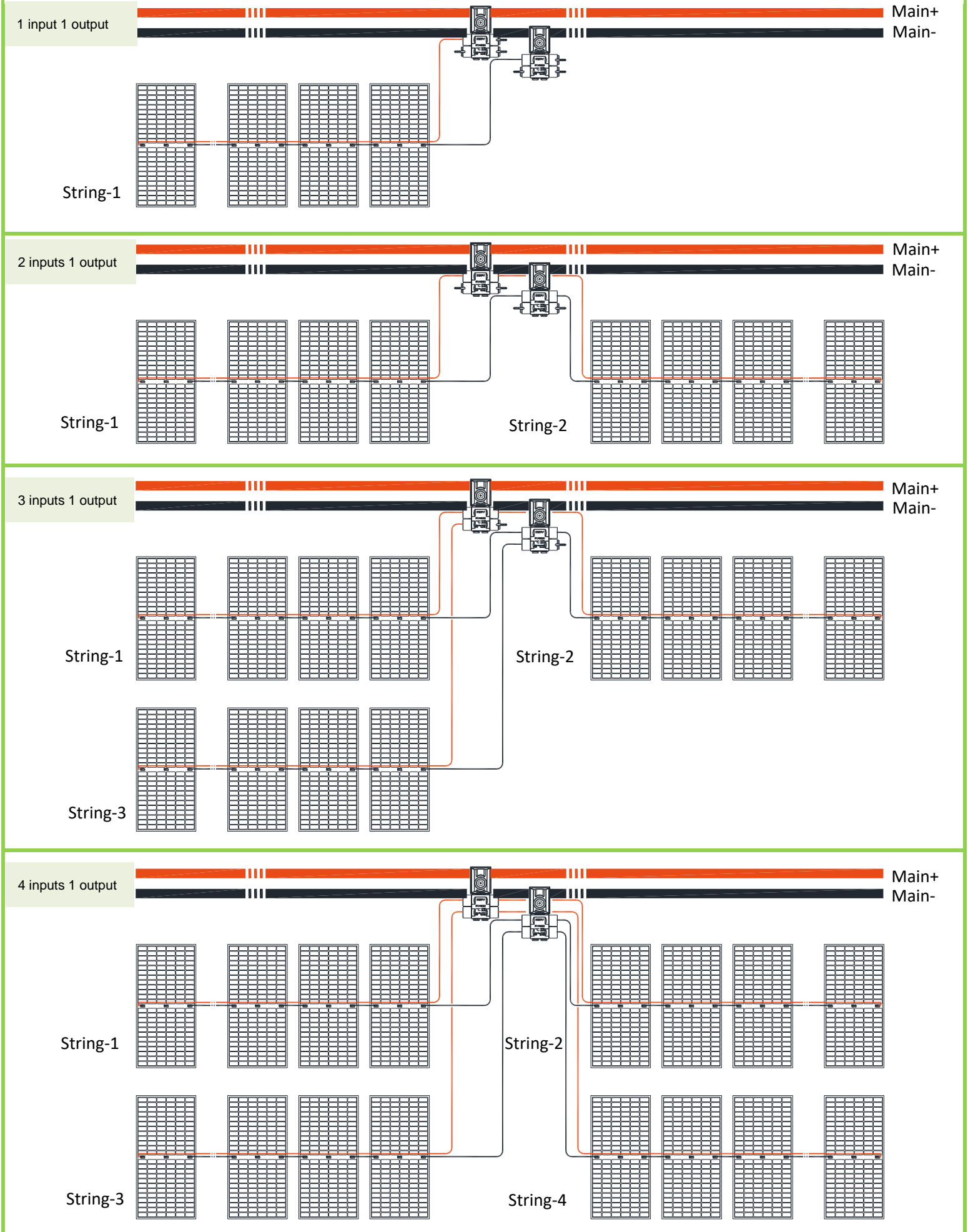
- 5.盖上防水盖
- 5.Put on the waterproof cover



- 6.重复4和5,接入其它分支线.
- 6.Repeat 4 and 5 to connect to other branch cable



使用参考
Application reference :



使用参考
Application reference :

