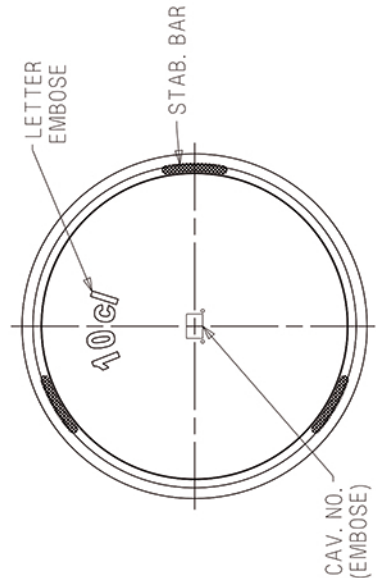
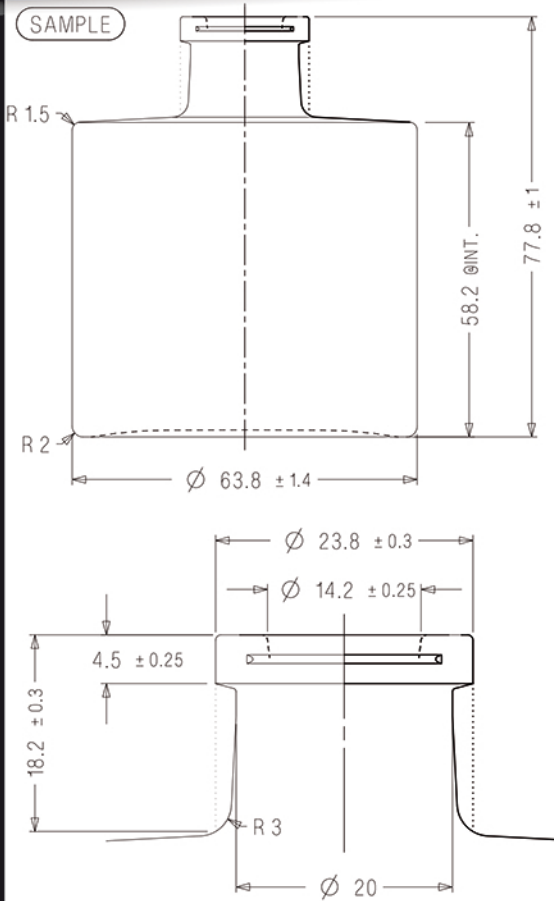


Vidrierías Pérez Campos



FINISH DETAIL
SCALE 2:1

FOR APPROVAL :
CUSTOMER:
SIGN:
NAME:
DATE:

				WARE	ARANDA 100 ML CORCHO			
ALL DIMS ARE IN MM DO NOT SCALE DRAWING				SCALE:	TYPE & COLOUR	THROUGH BORE (mm)	PROD. CATG.	
				1 : 1	III, FLINT	---	3PFF	
DES'D BY: DATE:				OVERFLOW CAP. (ml)	FILLING CAP. (ml)	WEIGHT (g) (APPROX)	NECK FINISH	
Rakesh 24/07/15				109.5 ± 3	---	200	24-PG-RDND	
							NR. REF. NO. : NEW	
(A)	NAME WAS 100 ML REDONDA	21/08/15	RDP	CHK'D BY DVB	APP'D BY ASD	DRG.NO.:	PGK-B-F3-C372	REV (A)
REVNO	REVISION DESCRIPTION	DATE	REV. BY					